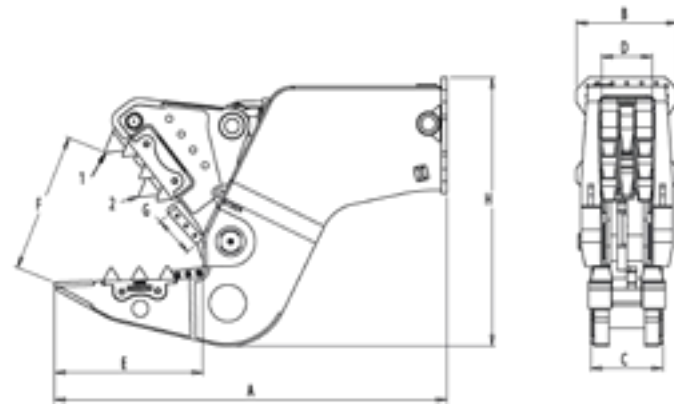


Specifications



Ingenious, reliable, service-friendly and maximal productivity.
That is the power of Rotar!

Type RSP	20 S	25 S	30 S	40 S
Information				
Machine class (t)	16 - 25	20 - 30	25 - 35	32 - 60
Weight (kg)*	1950	2350	3170	4500
Cycle open/close (s.)	2,2 - 1	2,3 - 1,4	3,4 - 1,9	4,3 - 2,9
Closing force at position 1 (t)	62	70	80	115
Closing force at position 2 (t)	93	105	127	155
Dimensions				
Dimension A (mm)	2290	2400	2710	3150
Dimension B (mm)	620	620	620	620
Dimension C (mm)	400	440	480	550
Dimension D (mm)	310	310	400	470
Dimension E (mm)	865	915	960	1155
Dimension F (mm)	850	920	1120	1230
Dimension G (mm)	200	250	250	300
Dimension D (mm)	1640	1640	1700	1990
Attachment				
Rotar Hole-pattern	140 - 150	140 - 150	140 - 150	140 - 150
Hydraulic				
Max. operating pressure cylinder (bar)	350	350	350	350
Oil volume cylinder (L/min)	150 - 225	150 - 250	150 - 250	250 - 300
Connector size	SAE 1"	SAE 1"	SAE 1"	SAE 1 1/4"

* Weight exclusive adapterplate with bracket.

** Figures given for cycle times and cutting forces are indications only. External factors such as excavator setting, hydraulic infrastructure, quickcouplers and fittings may influence performance.



RSP-serie

Rotar International BV

Address Sisalstraat 85, 8281 JK Genemuiden (NL)

Tel. +31(0) 38 385 54 71

Fax +31(0) 38 385 54 02

E-mail info@rotar.com

Website www.rotar.com



RSP

Rotar Static Pulverizer

Incredible crushing power combined with tremendous cutting power makes the Rotar Static Pulverizer perfect for secondary demolitions. The RSP will work its way through any concrete construction with easily replaceable wear parts.



Replaceable teeth

The RSP Series is fitted with replaceable teeth. It is impressive to watch these rows of teeth cutting through extremely strong concrete. The design of the jaws guarantees powerful penetration of the material. The RSP's body has been assembled from high-grade performance steel and wear-resistant materials, making it extremely strong.

Specially developed speed valve

The speed valve developed by Rotar allows the jaws to close quickly and automatically switch from speed to power mode as soon as the job requires more cutting power.



Optimum position of the hydraulic cylinder

The position of the hydraulic cylinder is designed at an optimum angle. This angle ensures a constant, powerful penetration during the complete stroke of the cylinder.

GET THE
RED CRUSH!